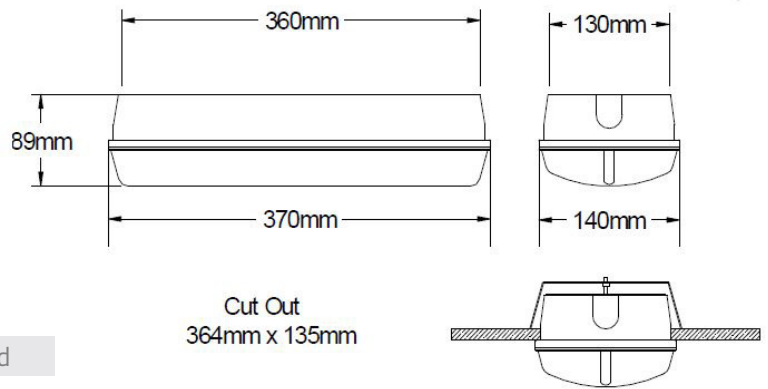


## High Output Emergency Bulkhead Range

The high output emergency LED bulkhead range are designed for high ceiling applications.

The high output LED strip use in this fitting provides 950 lumen after the diffuser in mains operation and 650 lumen in emergency operation, making this perfect for warehouse applications.

- IP65 Ingress Protection
- Standard and DALI Self-Test Options Available
- 950 Delivered Lumen in Mains Operation
- 650 Delivered Lumen in Emergency Operation
- Suitable for High Ceilings
- Makrolon Diffuser with High LOR
- Photometrically Tested by The LIA



### ORDER CODES

FRO/6/NM3	Non-Maintained IP65 LED Bulkhead
FRO/6/M3	Maintained IP65 LED Bulkhead
FRO/6/NM3/DA	N-M DALI Self-Test IP65 LED Bulkhead

### SPACING TABLE:

Mounting Height	Transverse to Wall		Transverse Spacing		Axial to Wall		Axial Spacing	
	0.5 Lux	1.0 Lux	0.5 Lux	1.0 Lux	0.5 Lux	1.0 Lux	0.5 Lux	1.0 Lux
3.0m	7.06m	5.64m	14.12m	11.28m	6.73m	5.41m	13.46m	10.82m
4.0m	7.85m	6.16m	15.70m	12.32m	7.52m	5.93m	15.04m	11.86m
5.0m	8.66m	6.64m	17.32m	13.28m	8.00m	6.40m	16.00m	12.80m
6.0m	8.90m	6.90m	17.80m	13.80m	8.57m	6.66m	17.14m	13.32m
8.0m	9.53m	6.71m	19.06m	13.40m	9.20m	6.49m	18.40m	12.98m
10.0m	9.66m	6.01m	19.32m	12.02m	9.33m	5.77m	18.66m	11.54m

### TECHNICAL DETAILS:

Input Voltage	230-240 Volts 50/60Hz	Output in Mains	950 Delivered Lumen
Power Rating Maintained	103mA $\lambda$ = 0.6mA 14.8W	Output in emergency	650 Delivered Lumen
Power Rating Non-Maintained	23mA $\lambda$ = 0.88mA 5W	Diffuser Type	Makrolon
Emergency Duration	3 Hours	Battery Type	7.2V 4.5Ah NiCd
Light Source	Helvar LS-282-840	Mains Cable Terminal	0.5mm x 2.5mm Cable
Beam Angle	125° x 117°	Ingress Protection	IP65
Light Source Colour Temperature	4000K	Dimensions	370mm x 140mm x 89mm
Ta	25°	Weight	2.5Kg