

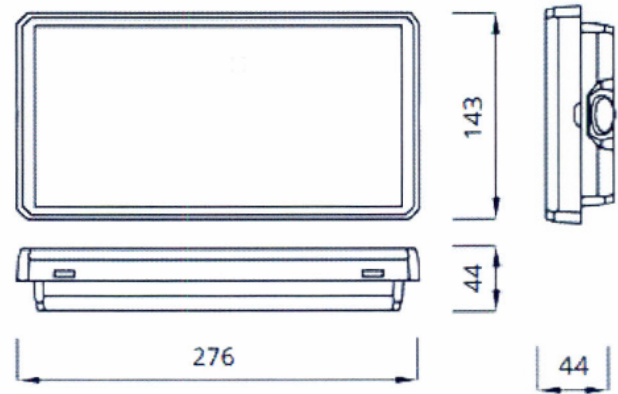
## 3W Bulkhead Range

A stylish and compact IP65 rated 3 Watt LED luminaire suitable for mounting a number of different ways. The unit is available in either a Switchable Maintained, Non-Maintained or a DALI Self-Test switchable maintained version.

The fitting is not only more compact than the majority of LED bulkheads, but offers an impressive 350 delivered lumen for standard operation and 245 lumen for DALI.

The batteries used with this unit not only offer double the life of traditional emergency lighting batteries, but consume far less power during their operation.

- Surface Mount (Wall or Ceiling)
- Optional Recessed (Wall or Ceiling)
- Optional Pendant (Ceiling)
- White Polycarbonate body
- Translucent Polycarbonate Cover
- Extra Long Life cells
- Ingress Protection Rating - IP65
- DDP (Deep Discharge Protection)
- Samsung LED's



### ORDER CODES

LBVLEMERMB3	Switchable Maintained IP65 High Output Bulkhead
LBVLEMERB3	Non-Maintained IP65 High Output Bulkhead
LBVLEMERMDB3	DALI Self-Test IP65 High Output Bulkhead Maintained via Mains Switch

### TECHNICAL DETAILS:

	LBVLEMERMB3	LBVLEMERMDB3
Mains Supply	230-240V AC 50/60 Hz	
Power Rating	55mA $\lambda = 0.6$ Maintained 25mA $\lambda = 0.6$ Non-maintained	40mA $\lambda = 0.6$ Maintained 16mA $\lambda = 0.48$ Non-maintained
Duration	3 Hours	
Recharge Period	12 Hours – Energy saving electronic charger	
Battery Size & Type	6.4V 3.0Ah Cells	9.6V 1.5Ah Cells
Charge Current	Dual Rate Charge 0-400mA	Dual Rate Charge 0-150mA
Ingress Protection Rating	IP65	
Light Source	8 pcs Samsung LED	
Lumen Output	350 Delivered Lumens	245 Delivered Lumen
Weight	0.74Kg	0.75Kg